

FRYING OIL FILTER FM3

FOR FRYER SIZE 800 TO 2000 LITRES
(1750 TO 4400 LB / 210 TO 530 GAL)

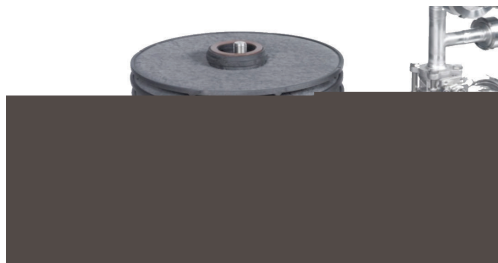
Extends Oil Life

Improves Oil Quality

Improves Product Quality and Shelf Life

Helps maintain Heater Elements and Heat Exchanger components

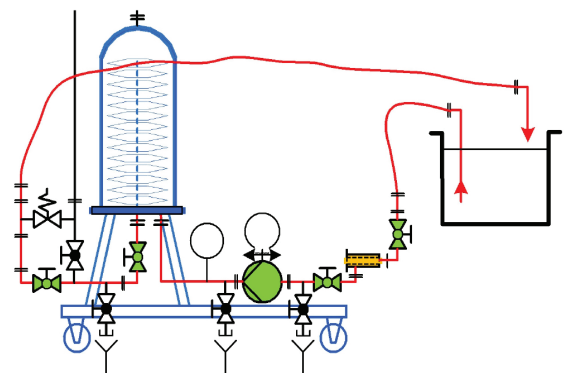
- Continuous Frying Oil Fine Filtration
- Active Oil Treatment Incorporated
- Operates at Frying Temperature
- Safe Automatic Control
- Operates 24/7
- Total Enclosed System
- Small Footprint, 1.22m² (13.1 ft²)
- Simple Installation
- Simple Operation
- Avoids Cross-Contamination between Fryers
- Connects Directly to the Fryer



- Simple Dedicated System
- Integrated Feed/Return Pump
- Integrated Pressure Relief Safety System
- Integrated Auto Stop and Alarm
- Mobile for Ease of Location



- Large Surface Area Filter Module
- Using Depth Filter Technology
- Filtering down to 0.5 micron
- Integrated Active Components built-in (no loose powder to add)
- Consumable Filter Modules, no cleaning
- Simple Change Out Process that does not stop the fryer or frying operation
- Developed Specifically for Frying Oil Treatment



FM3[®] TECHNICAL DATA SHEET

Technical data:

FM3-2

Part number:	159626	
Type of filter module:	SuperSorb, 12" by 9 or 16 cells	
No. of filter modules:	2	
Units:	Metric	Imperial
Filter area: (9 cell/16 cell)	2 / 3.6 m ²	3100 / 5580 in ²
Specific filtration flow rate:	190 to 425 l/ m2/hr	
Max. flow rate at 2 bar at 50Hz:	680 l/h	3.0 gpm
Max. flow rate at 2 bar at 60Hz:	850 l/h	3.7 gpm
Flow direction	reversible	reversible
Driving power of oil pump:	0.55 kW	0.74 Hp
Volume of filter housing:	~ 52 Litres	~ 14 gal
Max. Operating pressure:	2.5 bar	36 psi
Design pressure housing:	6 bar	87 psi
Pressure relief valve:	4 bar	58 psi
Pressure sensor (auto shut down):	2.5bar	36 psi
Max. Operating temperature:	200°C	392°F
Pipe connection (DIN 11 851)	DN20 (¾") or 3/4" Clamp	
Dimension (Width x Length):	881 x 1382 mm	34.7" x 54.4"
Footprint:	1.22m ²	13.1 ft ²
Dimension (Height):	1370 mm	53.9"
Weight	~ 233 kg	~ 514 lb
Supply voltage (Europe / USA):	400v/3ph/50Hz	460v/3ph/60Hz
Supply voltage (Optional):		240v/3ph/60Hz



TDSFM3R03
Feb 2018